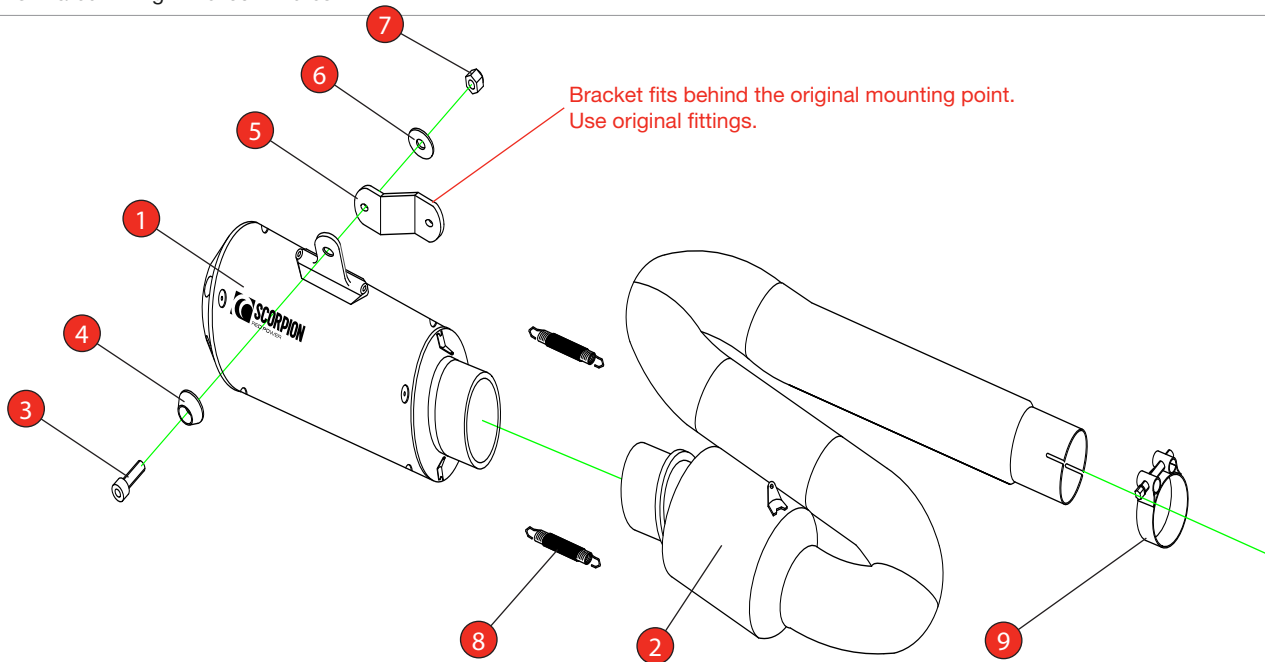


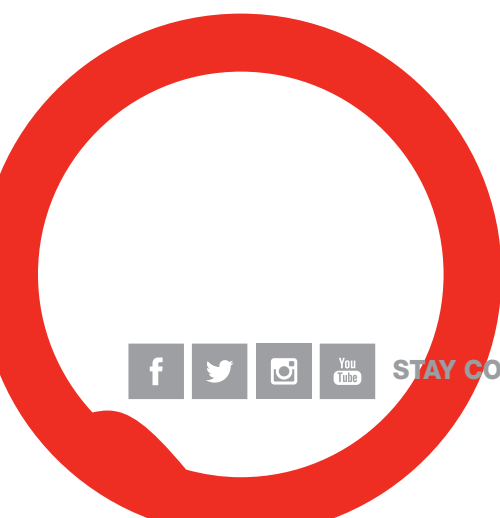
<b>Bike</b>	Triumph Street Triple 765	<b>Part No.</b>	PTR-87
<b>Year</b>	2017-Current	<b>Fit Kit</b>	Z039.10610
<b>Notes</b>	Where not supplied use original fittings Fits to S, R & RS models.	<b>dB Killer</b>	SCEXDBK47 - (Type PB)

Estimated Fitting Time: 60 Minutes



NO.	PART NO.	DESCRIPTION	QTY
1	PSC459	Red Power Silencer	1
2	CP954	Connecting Pipe	1
<b>Fit Kit - Z039.10610</b>			
3	Z017.10073	M8 x 25mm Cap Head Bolt	1
4	Z026.20068	Alloy Bolt Finisher	1
5	Z015.31323	Mounting Bracket	1
6	Z017.10825	M8 x 25mm Washer	1
7	Z017.10062	M8 Nyloc Nut	1
8	Z028.10030	Rubber Coated Spring	2
9	Z016.10008	43-47mm Clamp	1

E-MARK	BSAU 193a 1993/t3
DATE	02/10/2019
ISSUE	01
AUTHORISED	D.Marshall



STAY CONNECTED TO RED POWER.

<b>Bike</b>	Triumph Street Triple 765	<b>Part No.</b>	PTR-87
<b>Year</b>	2017-Current	<b>Fit Kit</b>	Z039.10610
<b>Notes</b>	Where not supplied use original fittings Fits to S, R & RS models.	<b>dB Killer</b>	SCEXDBK47 - (Type PB)

Estimated Fitting Time: 60 Minutes



Note: Retain all original parts and fittings.

A) Unscrew heat shield bolt and remove heat shield.

B) Undo original clamp and remove it from the bike.

C) Unscrew the original silencer mounting bolt.

D) Unscrew the second original silencer mounting bolt.

E) Remove the silencer from the bike.

F) Following the diagram above, loosely fit the Scorpion system.

G) Check the clearance between the pipework and the rear tyre, this requires a minimum spacing 45mm.

H) Check the clearance between the pipework and the suspension linkage, this requires a spacing of at least 20mm.

Thank you for purchasing your Scorpion Silencer.

Care of your exhaust: Please refrain from cleaning silencer with heavy solvents or abrasives!

Vielen Dank Fur den kauf eines Scorpion Schalldampfers! Pflegehinweis: Bitte verwenden Sie niemals Scheuermittel oder aggressive Reiniger zur Pflege Ihres Auspuffes!

Merci d'avoir choisi un echappement Scorpion.

Entretien de votre silencieux: Ne pas utiliser de solvants ou de produits abrasifs!

Muchas gracias por adquirir un Silencioso Scorpion. Le recomendamos no limpiar el silencioso con productos abrasivos o aquellos que contengan disolventes.



STAY CONNECTED TO RED POWER.