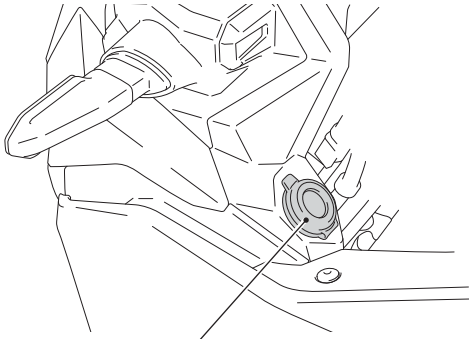


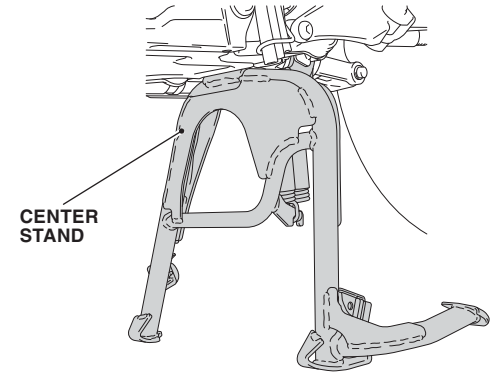
12V ACCESSORY SOCKET



ACCESSORY SOCKET

- The maximum power rating of connected accessories is 24W (12V, 2A).
- Use accessories with engine running to avoid discharging the battery.
- Do not use a cigarette lighter, as this can cause a malfunction.
- Cover the socket with the cap when the accessory socket is not used to prevent entry of foreign objects.
- Carefully secure any connected devices, as vibrations may cause them to shift unexpectedly.
- Make sure that the device cable connected to the accessory socket does not disturb the steering operation or riding. To prevent damage, do not pinch the cable.

CENTERSTAND

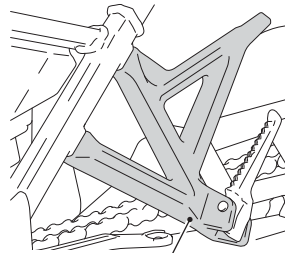


CENTER STAND

- Before starting your motorcycle, check that the side stand and the centerstand are fully retracted.
- Always choose flat ground when setting the centerstand.
- Always use the parking brake when parking the CRF1100D/D4 and using the centerstand.

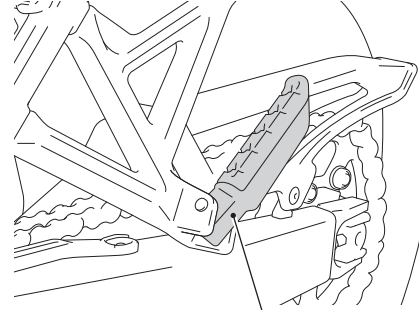
HOW TO USE THE CENTERSTAND

1. Park safely on a level ground and stop the engine.
2. Setting the centerstand.
 - Stand on the left side of the motorcycle and lower the centerstand with your right foot. Hold the left handgrip and the passenger step holder (CRF1100A/D) or rear carrier. Press down on the tip of the stand with your right foot and, simultaneously, pull up and back.



PASSENGER STEP HOLDER

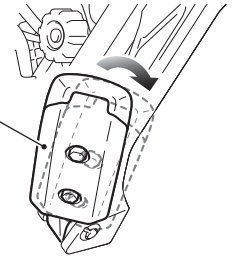
COMFORT PASSENGER FOOTPEGS



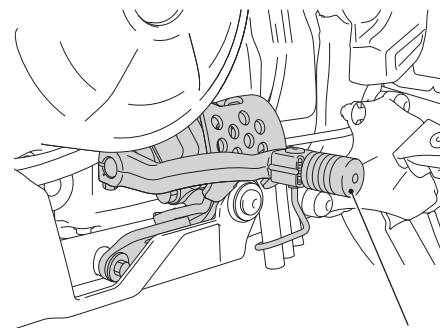
COMFORT PASSENGER FOOTPEG

- When this accessory becomes dirty, rinse it thoroughly with cool water to remove loose dirt, then wipe with a clean cloth or sponge. Do not use a brush to clean this accessory as it may scratch the surface.
- Never use organic solvents such as gasoline, thinner and benzine to clean this accessory. Also do not use acid or alkaline cleaners to clean this accessory. Wipe up spilled brake or battery fluid at once as they may damage the surface.
- Do not try to move the passenger bar to the inside after it stops.

PASSENGER BAR



DCT SHIFT PEDAL

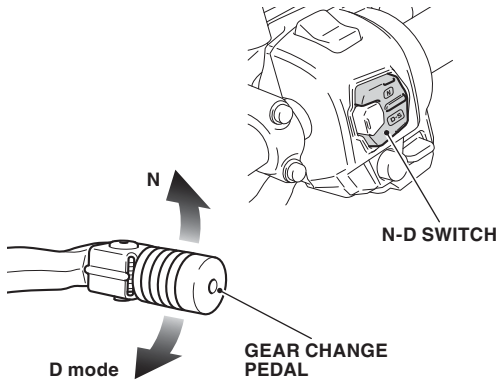


DCT SHIFT PEDAL

- Do not disassemble the DCT shift pedal.

CRF1100A/A4/D/D4

Genuine Accessory User's Guide

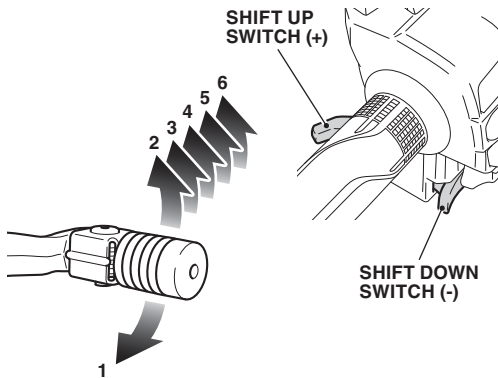


OPERATING INSTRUCTIONS

- The accessory gear change pedal operates the same as the N-D switch.
- Only the operating instructions for the gear change pedal are described in this manual. Make sure you also read the Owner's Manual.

<When Stopping>

- Lower the gear change pedal from the neutral (N) to switch to D mode.
- Raise the gear change pedal to switch to neutral (N).

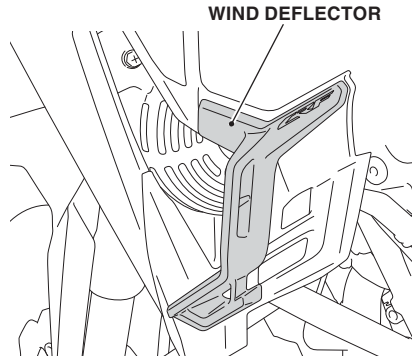


<When Riding>

- Raise the gear change pedal to shift up a gear and lower the gear change pedal to shift down a gear.
- Gear shifts can not be made when operating the gear change pedal while pressing the shift switch, or operating the shift switch while shifting with the gear change pedal.

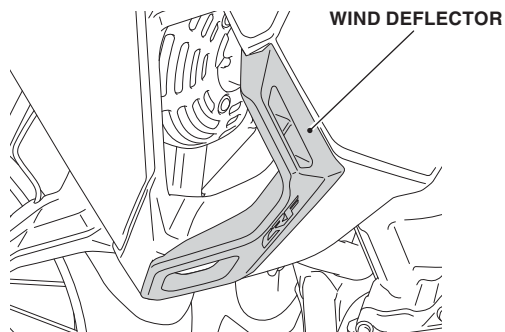
LOW WIND DEFLECTOR

<CRF1100A/D>



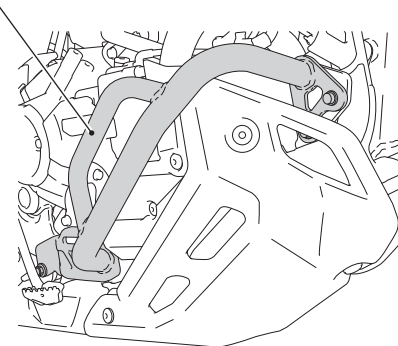
- When this accessory becomes dirty, rinse it thoroughly with cool water to remove loose dirt, then wipe with a clean cloth or sponge. Do not use a brush to clean this accessory as it may scratch the surface.
- Never use organic solvents such as gasoline, thinner and benzene to clean this accessory. Also do not use acid or alkaline cleaners to clean this accessory. Wipe up spilled brake or battery fluid at once as they may damage the surface.

<CRF1100A4/D4>



ENGINE GUARD

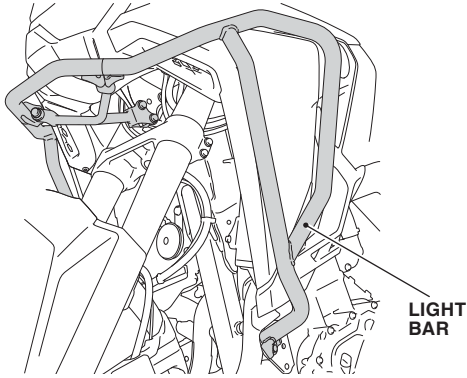
ENGINE GUARD



- When this accessory becomes dirty, rinse it thoroughly with cool water to remove loose dirt, then wipe with a clean cloth or sponge. Do not use a brush to clean this accessory as it may scratch the surface.
- Never use organic solvents such as gasoline, thinner and benzene to clean this accessory. Also do not use acid or alkaline cleaners to clean this accessory. Wipe up spilled brake or battery fluid at once as they may damage the surface.

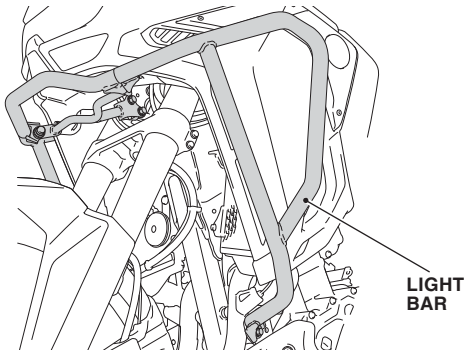
LIGHT BAR

<CRF1100A/D>

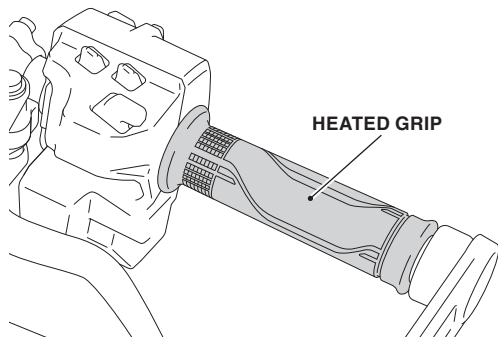


- Do not attempt to move the motorcycle while holding the light bar or applying extra pressure to the light bar. It may damage the motorcycle or the light bar.
- When this accessory becomes dirty, rinse it thoroughly with cool water to remove loose dirt, then wipe with a clean cloth or sponge.
Do not use a brush to clean this accessory as it may scratch the surface.
- Never use organic solvents such as gasoline, thinner and benzene to clean this accessory. Also do not use acid or alkaline cleaners to clean this accessory.
Wipe up spilled brake or battery fluid at once as they may damage the surface.

<CRF1100A4/D4>



HEATED GRIPS

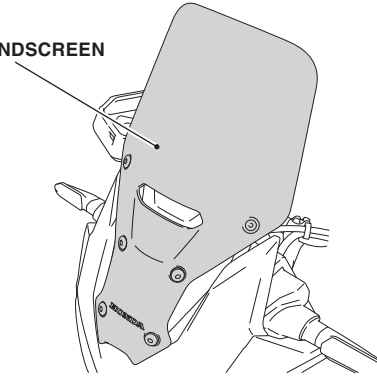


HOW TO USE THE HEATED GRIPS

- For operating instruction, see the Owner's Manual.

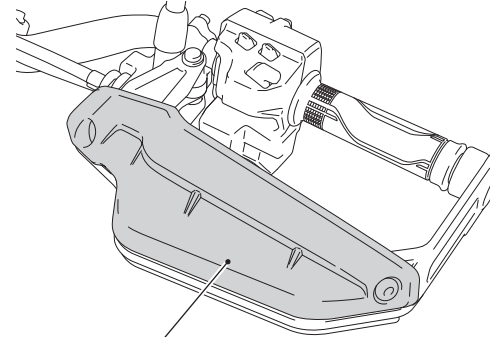
TALL WINDSCREEN

TALL WINDSCREEN



- Reduce speed when running in strong wind.
- Replace this accessory with a new one if it is damaged or discolored excessively.
- When this accessory becomes dirty, rinse it thoroughly with cool water to remove loose dirt, then wipe with a clean cloth or sponge.
Do not use a brush to clean this accessory as it may scratch the surface.
- Never use organic solvents such as gasoline, thinner and benzene to clean this accessory. Also do not use acid or alkaline cleaners to clean this accessory.
Wipe up spilled brake or battery fluid at once as they may damage the surface.
- If the motorcycle is left covered for an extended period of time, park in the shade. Parking a covered motorcycle in direct sunlight can cause the windscreen to deform due to heat buildup under the cover.
- Handle this accessory with care.
It can be damaged when it is bent excessively or is subject to strong shock or impact.
- Select a firm, level surface when you park the motorcycle.
Also bear in mind that strong wind can cause the motorcycle to topple to the ground.

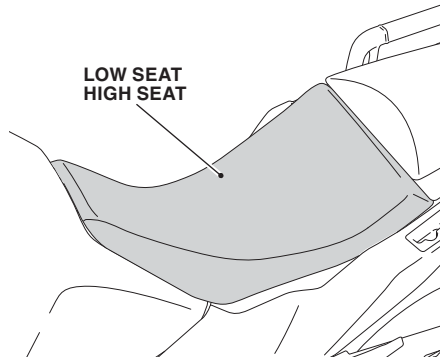
HAND GUARD EXTENSION



HAND GUARD EXTENSION

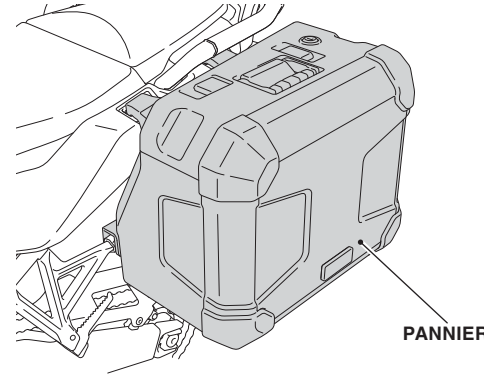
- When this accessory becomes dirty, rinse it thoroughly with cool water to remove loose dirt, then wipe with a clean cloth or sponge.
Do not use a brush to clean this accessory as it may scratch the surface.
- Never use organic solvents such as gasoline, thinner and benzene to clean this accessory. Also do not use acid or alkaline cleaners to clean this accessory.
Wipe up spilled brake or battery fluid at once as they may damage the surface.
- Handle this accessory with care.
It can be damaged when it is bent excessively or is subject to strong shock or impact.

LOW SEAT / HIGH SEAT



- When this accessory becomes dirty, rinse it thoroughly with cool water to remove loose dirt, then wipe with a clean cloth or sponge. Do not use a brush to clean this accessory as it may scratch the surface.
- Never use organic solvents such as gasoline, thinner and benzine to clean this accessory. Also do not use acid or alkaline cleaners to clean this accessory.
Wipe up spilled brake or battery fluid at once as they may damage the surface.

PANNIERS



- The weight of the cargo must not exceed the following maximum weight capacity:
Each pannier case 13.2 lb (6.0 kg)
- Load weight equally on both sides to minimize imbalance. If the weight is not loaded equally on both sides or if it exceeds the maximum weight capacity of this accessory, handling is proportionally affected, resulting in serious accident or injury.
- Do not store valuables or fragile articles in the panniers.
- Be sure that the panniers are installed securely before riding.
- Before riding, confirm that lid is closed.
- To prevent burns, allow the engine, exhaust system, radiator, etc., to cool before installing and removing the accessory.
- The pannier is hot while the engine is running and after it has been stopped (after riding etc.). Especially the lower part of the pannier on the right side is close to the muffler and thus becomes very hot, for that reason it should not be touched for some time.
- The panniers are not perfectly watertight, and water may enter when washing the motorcycle, when it rains, etc.
- Always install panniers on both the left and the right side.
- Don't place heavy objects on the opened lid or apply an excessive force from the top of opened lid.
- Open and close the lid gently.
- If the pannier gets dirty, clean it with a sponge or a shop towel moistened with a neutral detergent, remove the detergent with clean water, and then wipe them dry with a clean sponge or shop towel.
- Never use organic solvents such as gasoline, thinner and benzine to clean this accessory. Also do not use acid or alkaline cleaners to clean this accessory.
Wipe up spilled brake or battery fluid at once as they may damage the surface.

CRF1100A/A4/D/D4

Genuine Accessory User's Guide

HOW TO INSTALL THE PANNIERS

1. Insert the key and release the lock by turning the key clockwise.

2. Pull the release lever up as shown.

3. Install the pannier as shown.

- First engage at the cushion and then install at the two holes.

4. Push the release lever as shown.

5. Confirm that the hook is securely attached.

6. Lock the panniers by turning the key counter-clockwise.

7. Remove the key. Be sure that the release lever cannot be released.

8. Check that the pannier is installed securely by swinging the pannier, taking care not to knock the motorcycle down.

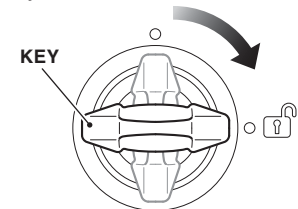
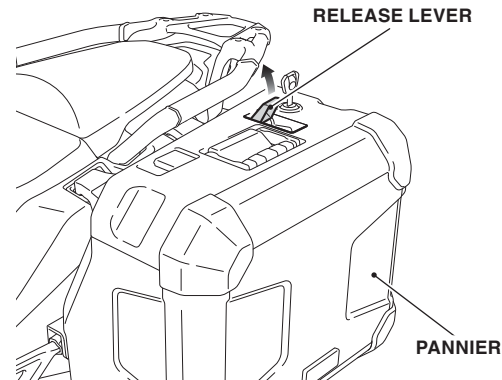
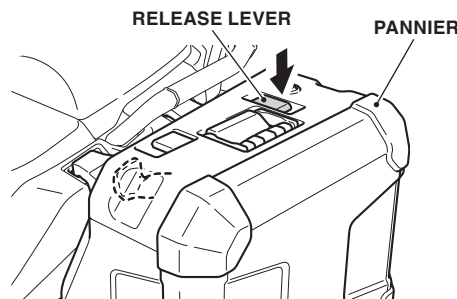
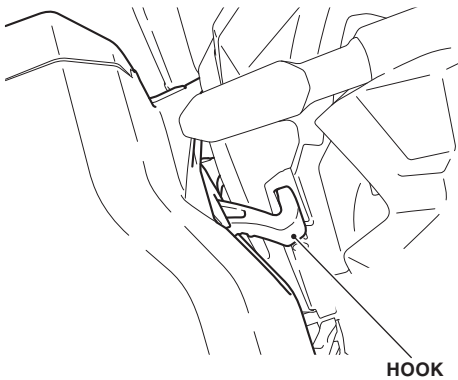
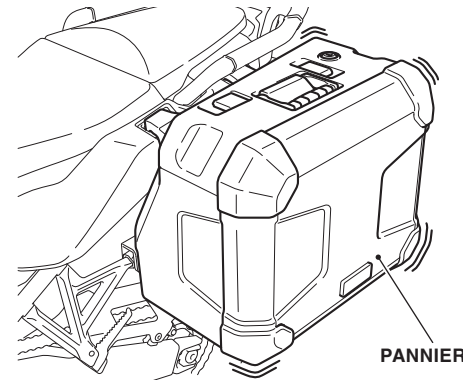
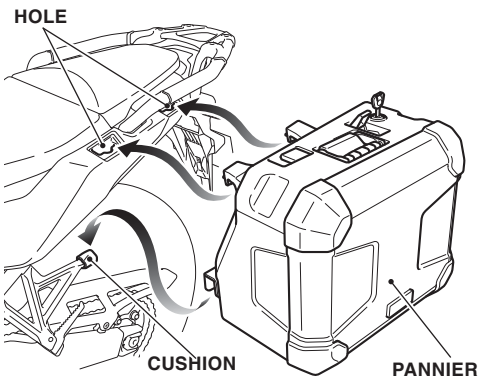
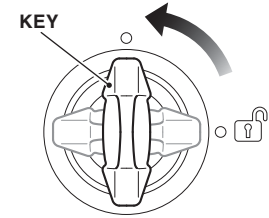
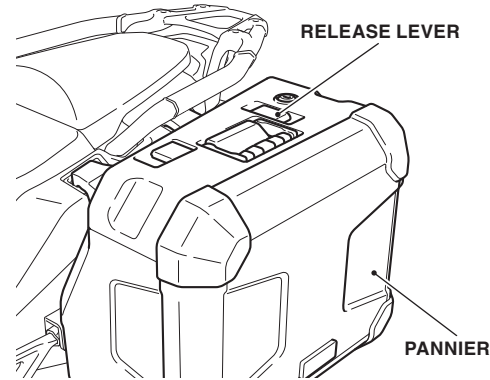
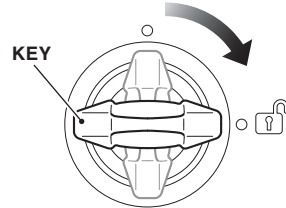
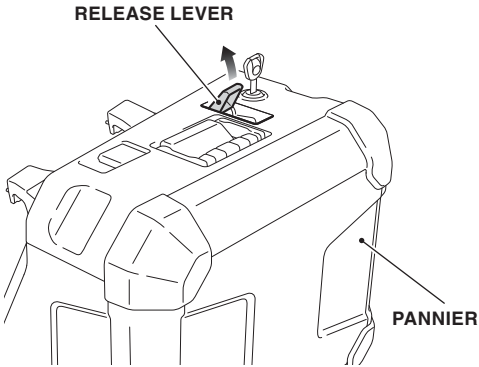
- The pannier can come off during riding unless it is mounted securely.

HOW TO REMOVE THE PANNIERS

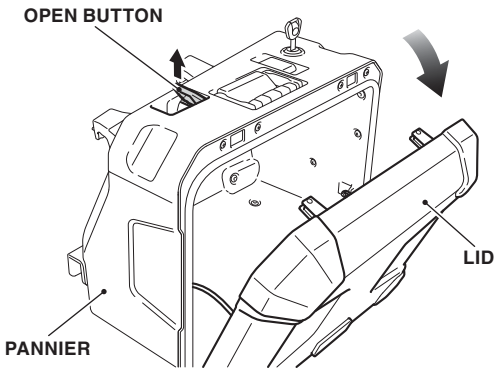
1. Insert the key and release the lock by turning the key clockwise.

2. Pull the release lever up as shown.

3. Remove the pannier in the reverse order of installation.

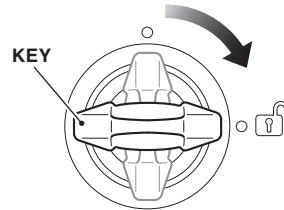


PANNIERS (ALUMINUM)



HOW TO OPEN THE PANNIERS

1. Insert the key and release the lock by turning the key clockwise.



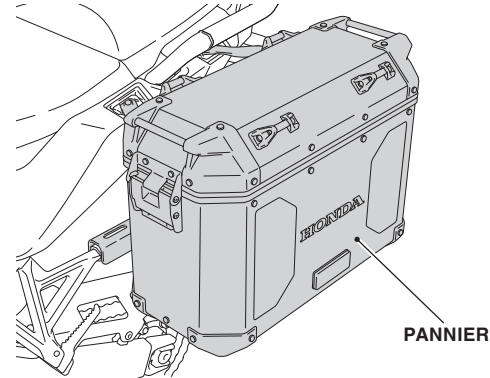
2. Pull the open button to open the lid as shown.

HOW TO CLOSE THE PANNIERS

1. Close and lock the pannier in reverse order of opening.
 - **Be careful not to have the stored items pinched when the pannier is closed.**

HOW TO STORE THE PANNIER INNER BAG

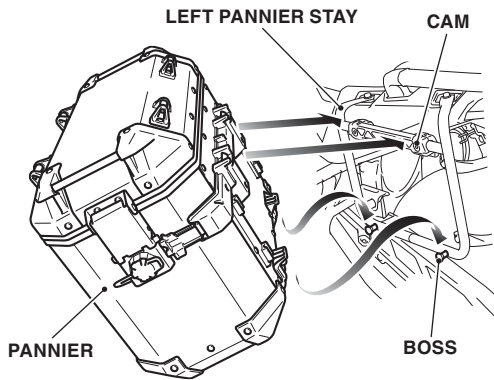
1. Open the pannier and store the pannier inner bag.
2. Close the pannier.
 - **Be careful not to have the stored items pinched when the pannier is closed.**



- The weight of the cargo must not exceed the following maximum weight capacity:
Each pannier case 22.0 lb (10.0 kg)
- Load weight equally on both sides to minimize imbalance. If the weight is not loaded equally on both sides or if it exceeds the maximum weight capacity of this accessory, handling is proportionally affected, resulting in serious accident or injury.
- Do not store valuables or fragile articles in the panniers.
- Be sure that the panniers are installed securely before riding.
- Before riding, confirm that lid is closed.
- To prevent burns, allow the engine, exhaust system, radiator, etc., to cool before installing and removing the accessory.
- The pannier is hot while the engine is running and after it has been stopped (after riding etc.). Especially the lower part of the pannier on the right side is close to the muffler and thus becomes very hot, for that reason it should not be touched for some time.
- The panniers are not perfectly watertight, and water may enter when washing the motorcycle, when it rains, etc.
- Always install panniers on both the left and the right side.
- Don't place heavy objects on the opened lid or apply an excessive force from the top of opened lid.
- Open and close the lid gently.
- If the pannier gets dirty, clean it with a sponge or a shop towel moistened with a neutral detergent, remove the detergent with clean water, and then wipe them dry with a clean sponge or shop towel.
- Never use organic solvents such as gasoline, thinner and benzene to clean this accessory. Also do not use acid or alkaline cleaners to clean this accessory.
Wipe up spilled brake or battery fluid at once as they may damage the surface.
- There is no special treatment on the aluminum portion of the product, to obtain the original texture for this product. Rust may occur depending on usage circumstances or maintenance conditions. When it gets dirty, make sure to clean and provide care because it easily gets dirty with usage and handling.

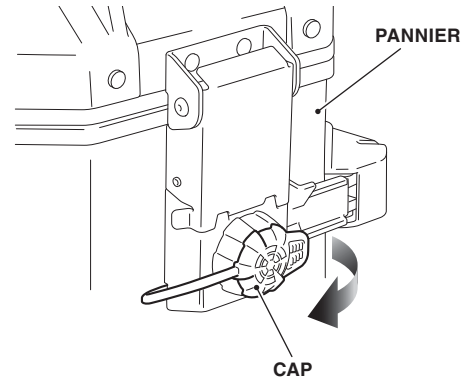
CRF1100A/A4/D/D4

Genuine Accessory User's Guide



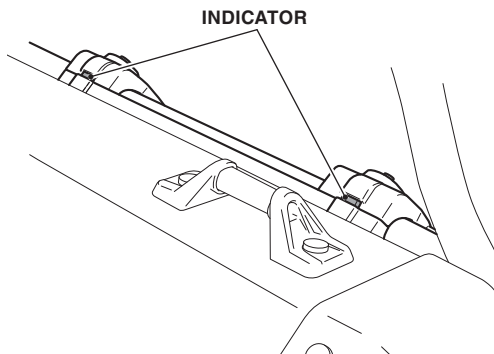
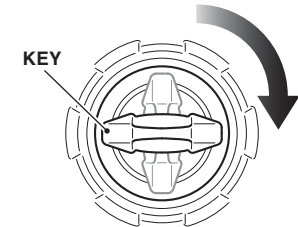
HOW TO INSTALL THE PANNIERS

1. Install the pannier as shown.
 - First install the two bosses, then install the two cams.
 - Installation can be done with the key position in lock or unlock.
 - Installation can be done without inserting the key.
 - When the pannier can not be secured, check the accessory for proper installation.

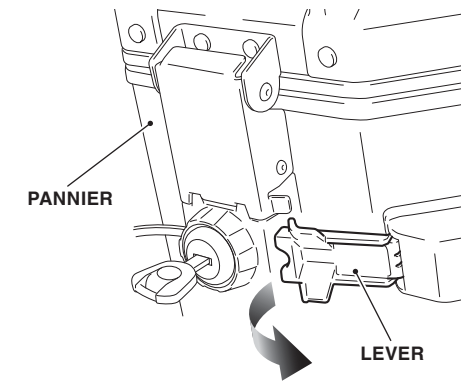


HOW TO REMOVE THE PANNIERS

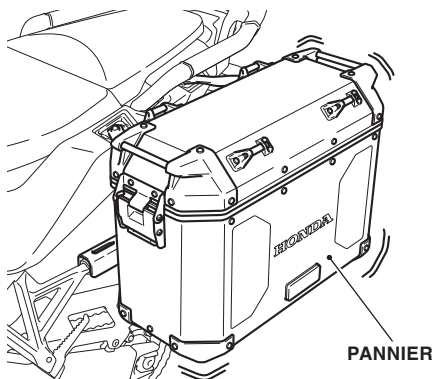
1. Remove the cap as shown.
2. Insert the key and release the lock by turning the key clockwise.



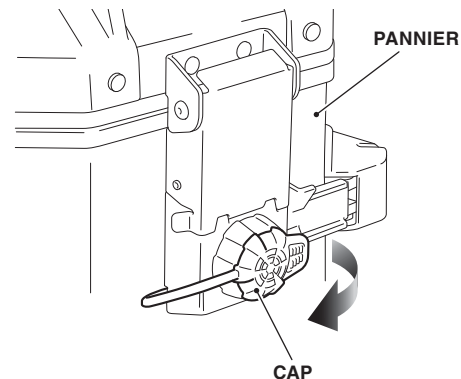
2. Make sure that the indicators in front and behind the pannier stay are green.
 - When the indicator is red, the pannier is not securely installed. Remove the pannier and reinstall it.



3. Pull the lever as shown.
 - Make sure that the indicator of the pannier stay is red after pulling the lever.

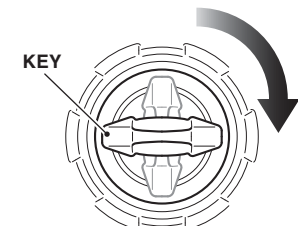


3. If the key is inserted, pull it out and install the cap.
4. Check that the pannier is installed securely by swinging the pannier taking care not to knock the motorcycle down.
 - The pannier can come off during riding unless it is mounted securely.



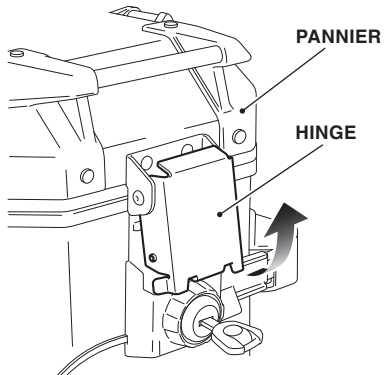
HOW TO OPEN THE PANNIERS

1. Remove the cap as shown.
2. Insert the key and release the lock by turning the key clockwise.

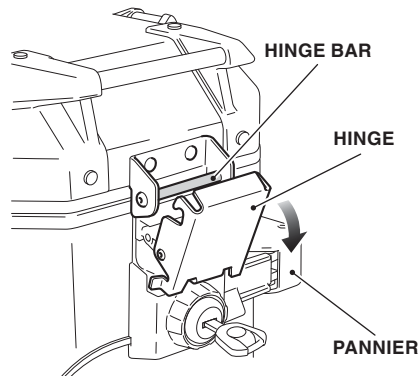


CRF1100A/A4/D/D4

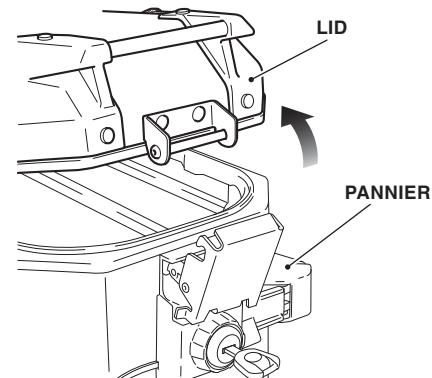
Genuine Accessory User's Guide



3. Pull the hinge up as shown.



4. Release the hinge from hinge bar as shown.



5. Open the lid as shown.

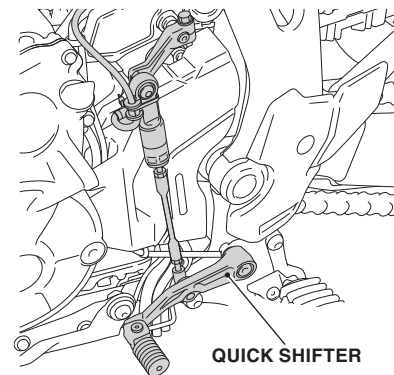
HOW TO CLOSE THE PANNIERS

1. Close and lock the pannier in reverse order of opening.
 - Be careful not to have the stored items pinched when the pannier is closed.

HOW TO STORE THE PANNIER INNER BAG

1. Open the pannier and store the pannier inner bag.
2. Close the pannier.
 - Be careful not to have the stored items pinched when the pannier is closed.

QUICK SHIFTER



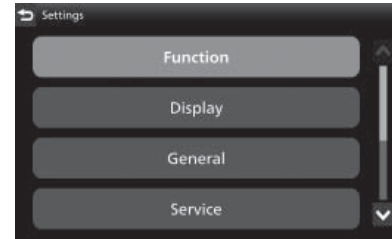
- Do not disassemble the quick shifter.
- If there is a problem with the gear position display, the shift feeling may change.
- If the quick shifter does not operate normally, the gear shift can be made by normal clutch operation.
- If the PGM-FI malfunction indicator lamp comes on or the gear position indicator flashes "-" in the current gear position, the Quick Shifter system may not operate. If either of the above occurs, contact your dealer as soon as possible.

CRF1100A/A4/D/D4

Genuine Accessory User's Guide

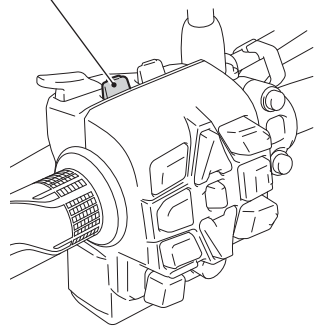
HOW TO USE THE QUICK SHIFTER

- This accessory enables up and down gearshifts without using the clutch. (Engine speed is more than 1,600 rpm on upshifting or more than the idle speed on downshifting).
- This system does not function when upshifting with the throttle closed.
- This system does not function when the clutch lever is being operated.



4. Select the "Function", and then press the ENT optionh.

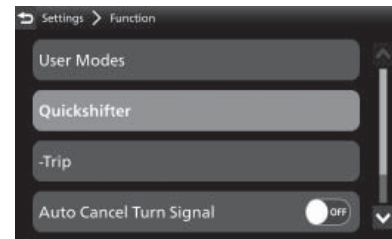
PAGE SWITCH



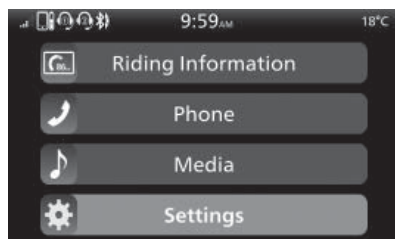
QUICK SHIFTER SETTING

- The Quick Shifter can be individually turned ON (activate) and OFF (deactivate), also the shift pedal sensitivity (load required to activate ignition cut/throttle blip) can be independently adjusted for up and down shifting.

1. Turn the ignition switch to ON position.
2. Pull backward and hold the PAGE switch or touch the clock area of the multi-information display.



5. Select the "Quickshifter", and then press the ENT option.



3. Select the "Settings", and then press the ENT option.



<UP setting>

- You can select the shift pedal load level for activating the Quick Shifter when upshifting.
- You can select "OFF" (deactivate) for upshifting with the Quick Shifter.

1. Select the "Up", and then press the ENT option.
2. Push the SEL ◀ or ▶ switch until the desired value is displayed.
3. Return to the riding information screen or Home screen.

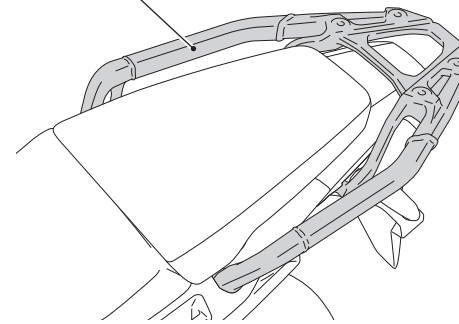
- You can also perform the above settings by using the touch screen.

CRF1100A/A4/D/D4

Genuine Accessory User's Guide

REAR CARRIER

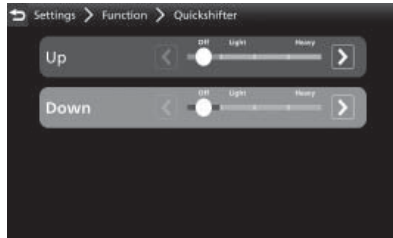
REAR CARRIER



- The weight of the cargo must not exceed the following maximum load capacity:
22.0 lb (10.0 kg)
- When this accessory becomes dirty, rinse it thoroughly with cool water to remove loose dirt, then wipe with a clean cloth or sponge.
Do not use a brush to clean this accessory as it may scratch the surface.
- Never use organic solvents such as gasoline, thinner and benzene to clean this accessory. Also do not use acid or alkaline cleaners to clean this accessory.
Wipe up spilled brake or battery fluid at once as they may damage the surface.

<DOWN setting>

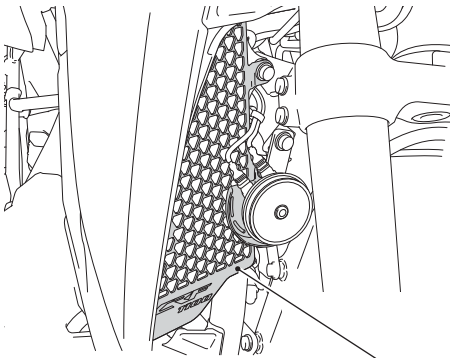
- You can select the shift pedal load level for activating the Quick Shifter when downshifting.
- You can select "OFF" (deactivate) for downshifting with the Quick Shifter.



1. Select the "Down", and then press the ENT option.
2. Push the SEL ◀ or ▶ switch the desired value is displayed.
3. Return to the riding information screen or Home screen.

- You can also perform the above settings by using the touch screen.

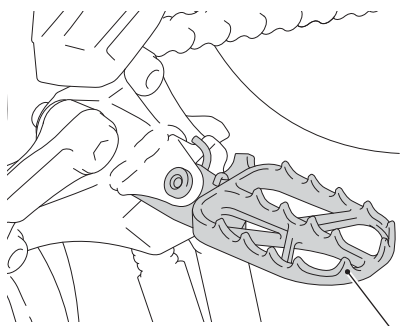
RADIATOR GRILL



RADIATOR GRILL

- When this accessory becomes dirty, rinse it thoroughly with cool water to remove loose dirt, then wipe with a clean cloth or sponge.
Do not use a brush to clean this accessory as it may scratch the surface.
- Never use organic solvents such as gasoline, thinner and benzene to clean this accessory. Also do not use acid or alkaline cleaners to clean this accessory.
Wipe up spilled brake or battery fluid at once as they may damage the surface.

ENDURO FOOTPEGS

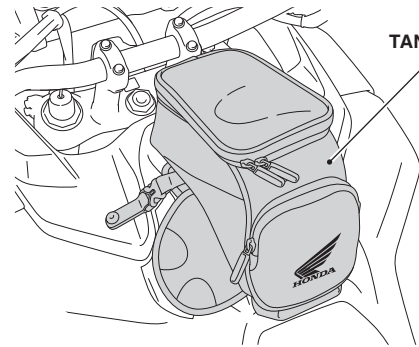


ENDURO FOOTPEG

- When this accessory becomes dirty, rinse it thoroughly with cool water to remove loose dirt, then wipe with a clean cloth or sponge.
Do not use a brush to clean this accessory as it may scratch the surface.
- Never use organic solvents such as gasoline, thinner and benzene to clean this accessory. Also do not use acid or alkaline cleaners to clean this accessory.
Wipe up spilled brake or battery fluid at once as they may damage the surface.

TANK BAG

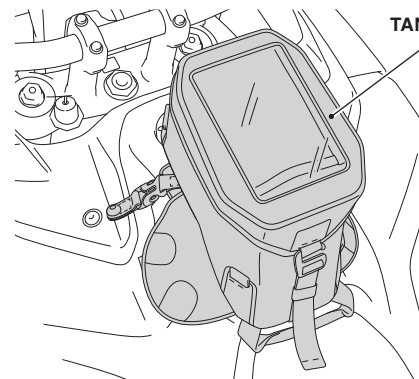
<3.0 L>



TANK BAG

- The weight of the cargo must not exceed the following maximum weight capacity:
Tank bag 3.3 lb (1.5 kg)
- Be sure that the tank bag is installed securely before riding.
- Before riding, close the tank bag.
- The tank bag is not perfectly watertight, and water may enter when it rains, etc.
- Do not store valuables or fragile articles in the tank bag.
- When washing the motorcycle and when leaving the motorcycle, remove the tank bag.
- Before installation, remove all dust, sand, etc. from fuel tank and tank bag, as the fuel tank may be damaged.
- Never use organic solvents such as gasoline, thinner and benzene to clean this accessory. Also do not use acid or alkaline cleaners to clean this accessory.
Wipe up spilled brake or battery fluid at once as they may damage the surface.

<4.5 L>



TANK BAG

WHEN THE TANK BAG IS REMOVED

- When riding with the tank bag removed, make sure to remove the strap to return to the original state.

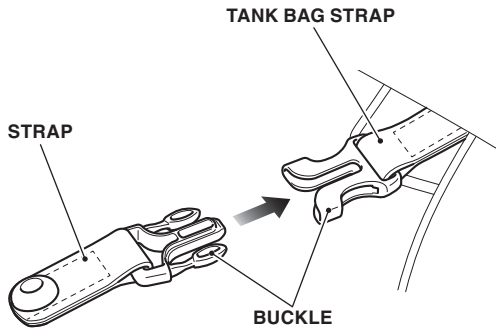
CRF1100A/A4/D/D4

Genuine Accessory User's Guide

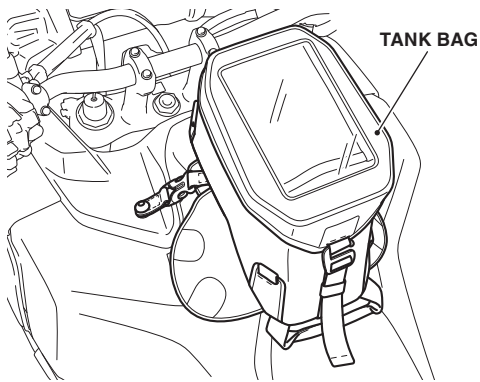
HOW TO INSTALL THE TANK BAG

- Although the illustration is of tank bag (4.5 L), use the same procedures for other models.

1. Lock the buckle as shown.
 - Repeat on the right side.



2. Install the tank bag as shown.

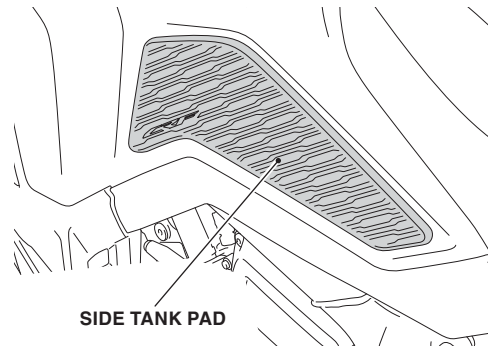


HOW TO USE THE RAIN COVER (3.0 L ONLY)

1. Put the rain cover on the tank bag.

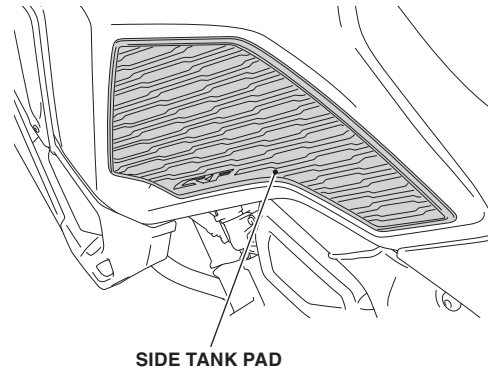
SIDE TANK PAD

<CRF1100A/D>



- When this accessory becomes dirty, rinse it thoroughly with cool water to remove loose dirt, then wipe with a clean cloth or sponge. Do not use a brush to clean this accessory as it may scratch the surface.
- Never use organic solvents such as gasoline, thinner and benzene to clean this accessory. Also do not use acid or alkaline cleaners to clean this accessory. Wipe up spilled brake or battery fluid at once as they may damage the surface.

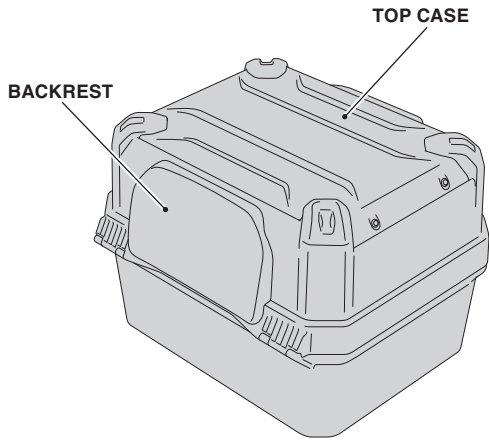
<CRF1100A4/D4>



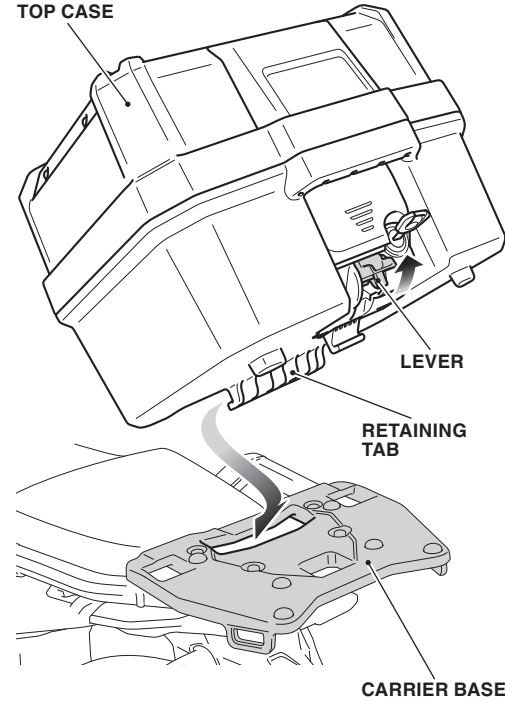
CRF1100A/A4/D/D4

Genuine Accessory User's Guide

TOP CASE (38 L)

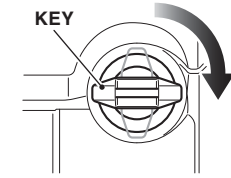


- The weight of the cargo must not exceed the following maximum weight capacity:
13.2 lb (6.0 kg)
 - Be sure that the top case is installed securely before riding.
 - Before riding, confirm that lid is closed.
 - The top case is not perfectly watertight, and water may enter when washing the motorcycle, when it rains, etc.
 - To prevent burns, allow the engine, exhaust system, radiator, etc., to cool before installing and removing the accessory.
 - Do not store valuables or fragile articles in the top case.
 - Don't place heavy objects on the opened lid or apply excessive force from the top of opened lid.
 - Open and close the lid gently.
 - If the top box gets dirty, clean it with a sponge or a shop towel moistened with a neutral detergent, remove the detergent with clean water, and then wipe them dry with a clean sponge or shop towel.
 - Never use organic solvents such as gasoline, thinner and benzine to clean this accessory. Also do not use acid or alkaline cleaners to clean this accessory.
- Wipe up spilled brake or battery fluid at once as they may damage the surface.

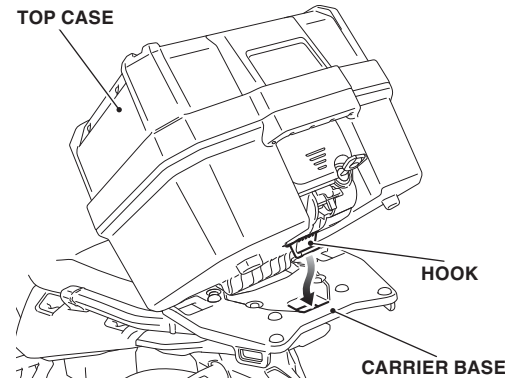


HOW TO INSTALL THE TOP CASE

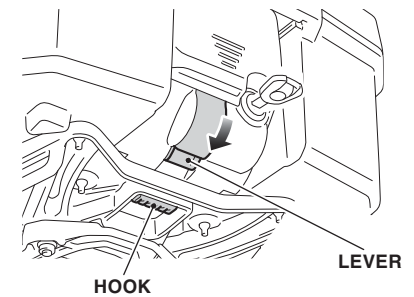
1. Insert the key and release the lock by turning the key clockwise.



2. Lift the lever as shown, and insert the retaining tab of the top case into the carrier base.

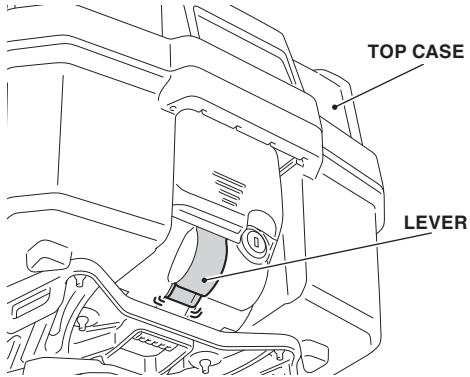


3. Position the hook on the carrier base as shown.
4. Secure the hook by pressing the lever down as shown.

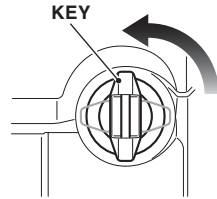


CRF1100A/A4/D/D4

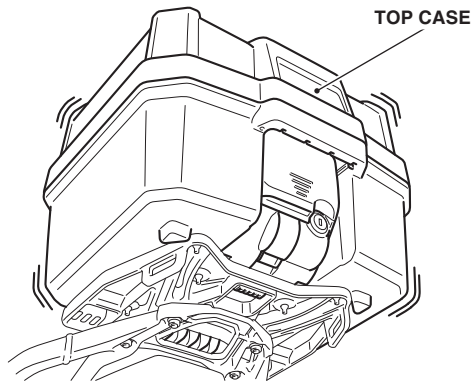
Genuine Accessory User's Guide



5. Lock the top case by turning the key counter-clockwise.

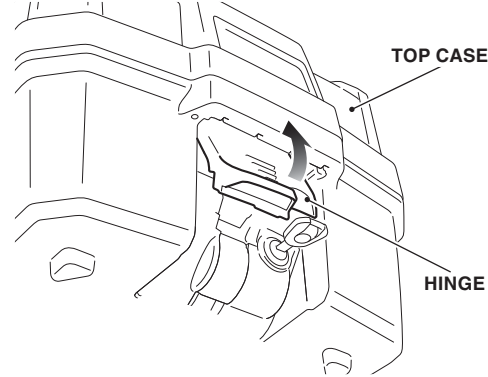


6. Remove the key. Be sure that lever cannot be released.



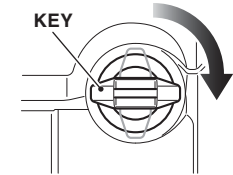
7. Check that the top case is installed securely by swinging the top case taking care not to knock the motorcycle down.

- The top case can come off during riding unless it is mounted securely.

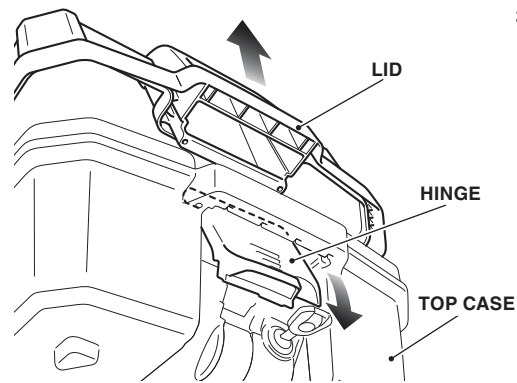


HOW TO OPEN THE TOP CASE

1. Insert the key and release the lock by turning the key clockwise.



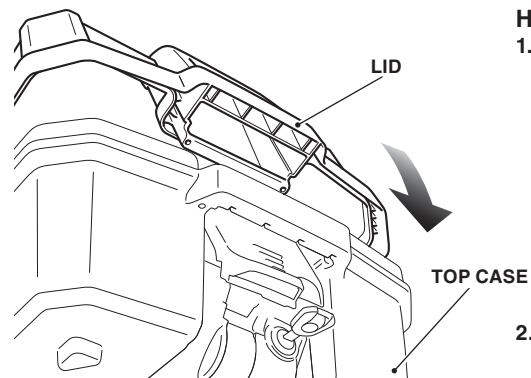
2. Pull the hinge up as shown.



3. Raising the upper part of hinge, move the hinge down as shown and open the lid.

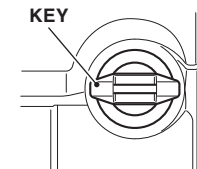
HOW TO REMOVE THE TOP CASE

1. Remove the top case in the reverse order of installation.



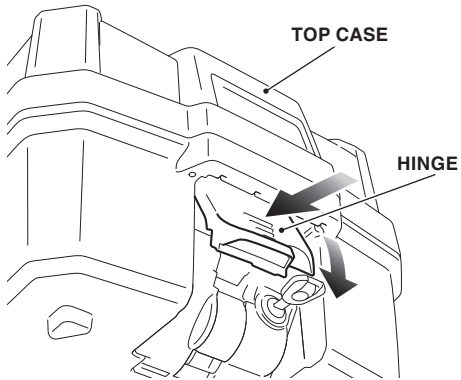
HOW TO CLOSE THE TOP CASE

1. Confirm that the key position is as shown.

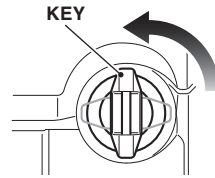


2. Close the lid.

TOP CASE (42 L ALUMINUM)



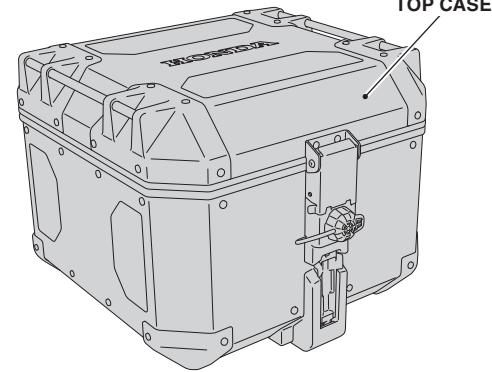
3. Holding the upper part of the hinge, push the hinge down.
 - Be careful not to have any stored item pinched when the top case is closed.
4. Turning the key counter-clockwise.



5. Remove the key.
 - Make sure the lid and hinge are locked securely.

STORING THE TOP CASE INNER BAG

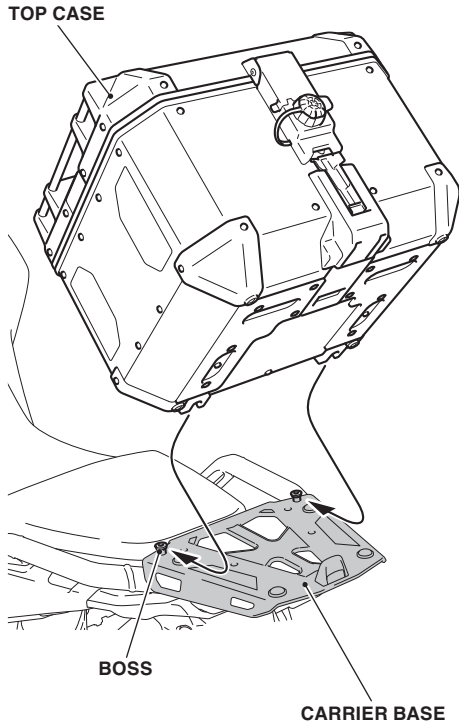
1. Open the top case and store the top case inner bag.
2. Close the top case.
 - Be careful not to have any stored item pinched when the top case is closed.



- The weight of the cargo must not exceed the following maximum weight capacity:
13.2 lb (6.0 kg)
- Be sure that the top case is installed securely before riding.
- Before riding, confirm that lid is closed.
- The top case is not perfectly watertight, and water may enter when washing the motorcycle, when it rains, etc.
- To prevent burns, allow the engine, exhaust system, radiator, etc., to cool before installing and removing the accessory.
- Do not store valuables or fragile articles in the top case.
- Don't place heavy objects on the opened lid or apply an excessive force from the top of opened lid.
- Open and close the lid gently.
- If the top case gets dirty, clean it with a sponge or a shop towel moistened with a neutral detergent, remove the detergent with clean water, and then wipe them dry with a clean sponge or shop towel.
- Never use organic solvents such as gasoline, thinner and benzine to clean this accessory. Also do not use acid or alkaline cleaners to clean this accessory.
Wipe up spilled brake or battery fluid at once as they may damage the surface.
- There is no special treatment on the aluminum portion of the product, to obtain the original texture for this product. Rust may occur depending on usage circumstances or maintenance conditions. When it gets dirty, make sure to clean and provide care because it easily gets dirty with usage and handling..

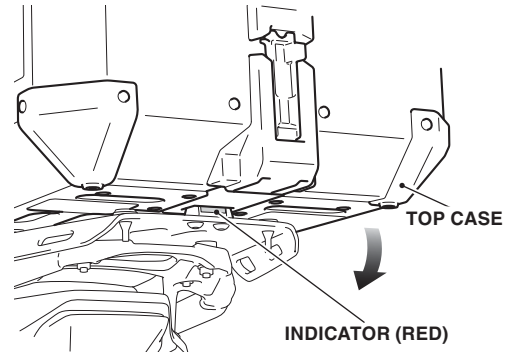
CRF1100A/A4/D/D4

Genuine Accessory User's Guide

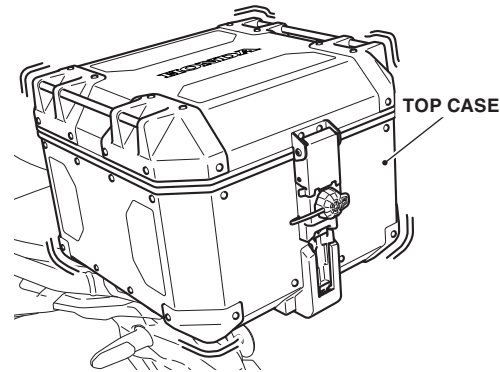


HOW TO INSTALL THE TOP CASE

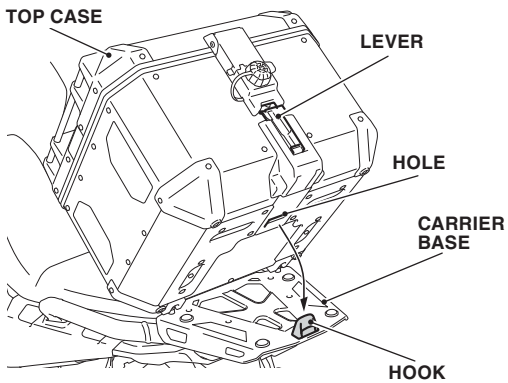
1. Insert the top case into the front bosses as shown.
 - Installation can be done with the key position in lock or unlock.
 - Installation can be done without inserting the key.



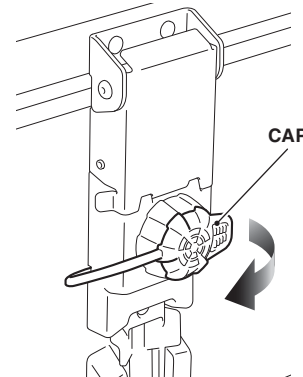
3. Lower the top case until the indicator (red) is hidden as shown.



4. If the key is inserted, pull it out and install the cap.
5. Check that the top case is installed securely by swinging the top case taking care not to knock the motorcycle down.
 - The top case can come off during riding unless it is installed securely.



2. Install the top case by aligning the hole of top case with the hook.
 - When the top case can not be secured, check the accessory for proper installation.

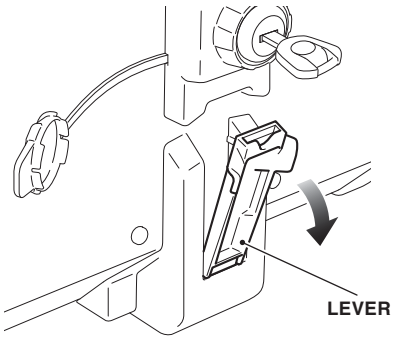


HOW TO REMOVE THE TOP CASE

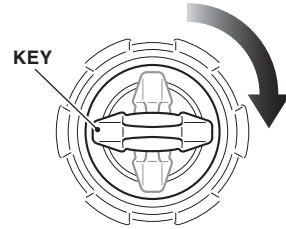
1. Remove the cap as shown.

CRF1100A/A4/D/D4

Genuine Accessory User's Guide

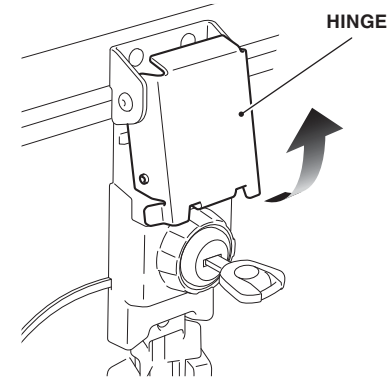


2. Insert the key and release the lock by turning the key clockwise.

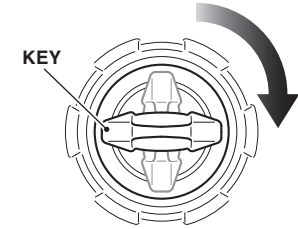


3. Pull the lever as shown.

4. Remove the top case in the reverse order of installation.

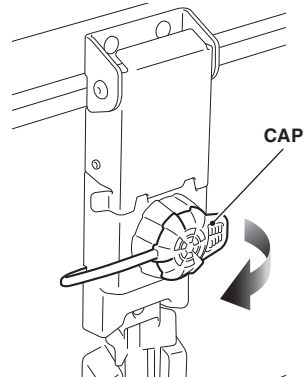
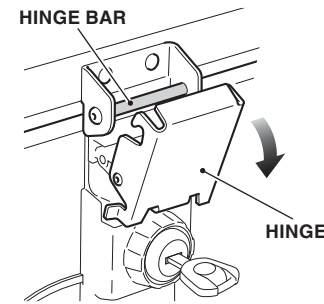


2. Insert the key and release the lock by turning the key clockwise.



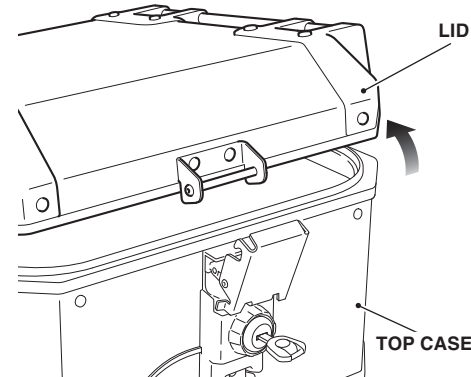
3. Pull the hinge up as shown.

4. Release the hinge from hinge bar as shown.



HOW TO OPEN THE TOP CASE

1. Remove the cap as shown.



5. Open the lid as shown.

CRF1100A/A4/D/D4

Genuine Accessory User's Guide

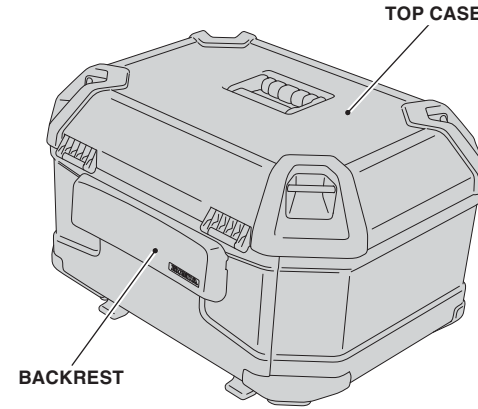
TOP CASE (58 L)

HOW TO CLOSE THE TOP CASE

1. Close and lock the top case in the reverse order of opening.
 - **Be careful not to have any stored item pinched when the top case is closed.**

STORING THE TOP CASE INNER BAG

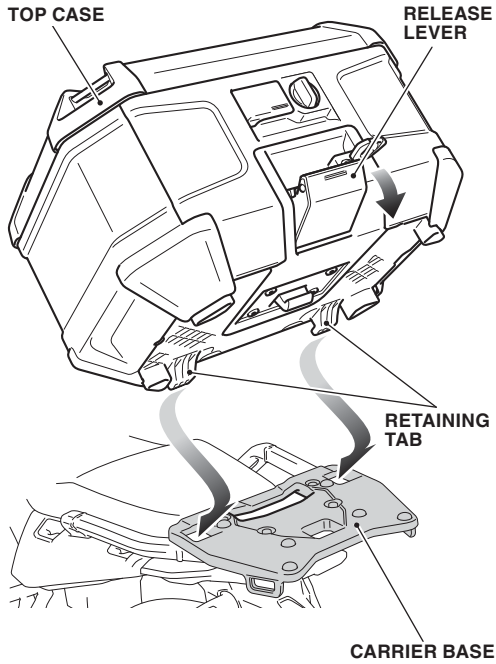
1. Open the top case and store the top case inner bag.
2. Close the top case.
 - **Be careful not to have any stored item pinched when the top case is closed.**



- The weight of the cargo must not exceed the following maximum weight capacity:
13.2 lb (6.0 kg)
 - Be sure that the top case is installed securely before riding.
 - Before riding, confirm that lid is closed.
 - The top case is not perfectly watertight, and water may enter when washing the motorcycle, when it rains, etc.
 - To prevent burns, allow the engine, exhaust system, radiator, etc., to cool before installing and removing the accessory.
 - Do not store valuables or fragile articles in the top case.
 - Don't place heavy objects on the opened lid or apply an excessive force from the top of opened lid.
 - Open and close the lid gently.
 - If the top case gets dirty, clean it with a sponge or a shop towel moistened with a neutral detergent, remove the detergent with clean water, and then wipe them dry with a clean sponge or shop towel.
 - Never use organic solvents such as gasoline, thinner and benzene to clean this accessory. Also do not use acid or alkaline cleaners to clean this accessory.
- Wipe up spilled brake or battery fluid at once as they may damage the surface.

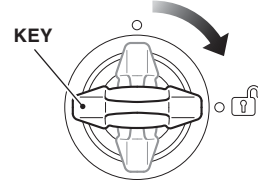
CRF1100A/A4/D/D4

Genuine Accessory User's Guide

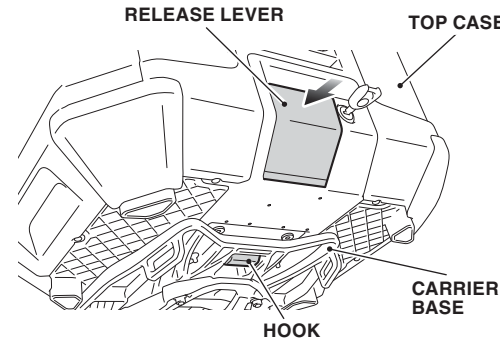


HOW TO INSTALL THE TOP CASE

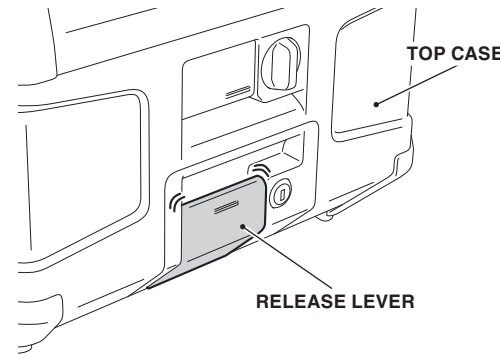
1. Insert the key and release the lock by turning the key clockwise.



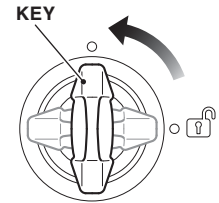
2. Insert the retaining tabs of the top case into the hole of the carrier base with the release lever in the pulled position as shown.



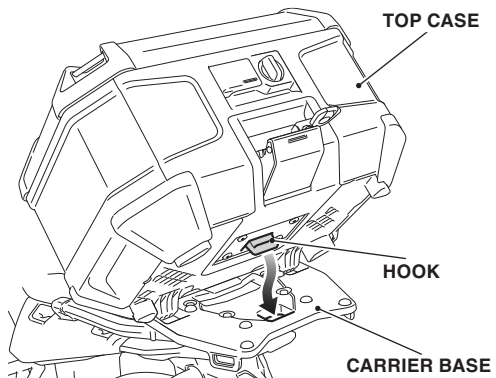
4. Secure the hook by pushing the release lever as shown.



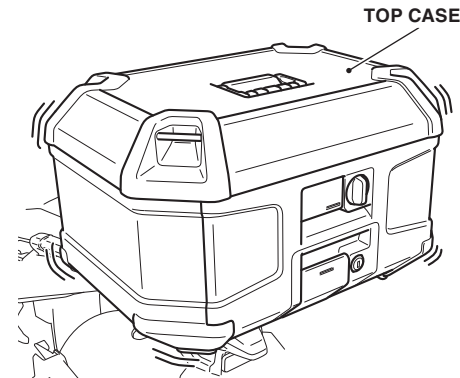
5. Lock the top case by turning the key counter-clockwise.



6. Remove the key. Be sure that release lever cannot be released.



3. Position the hook of the top case on the carrier base as shown.



7. Check that the top case is installed securely by swinging the top case taking care not to knock the motorcycle down.

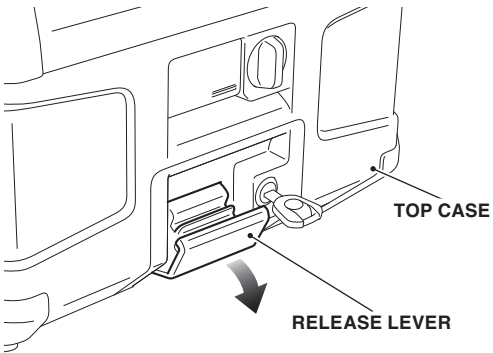
- The top case can come off during riding unless it is mounted securely.

CRF1100A/A4/D/D4

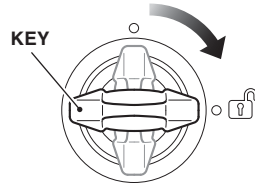
Genuine Accessory User's Guide

HOW TO REMOVE THE TOP CASE

1. Insert the key and release the lock by turning the key clockwise.

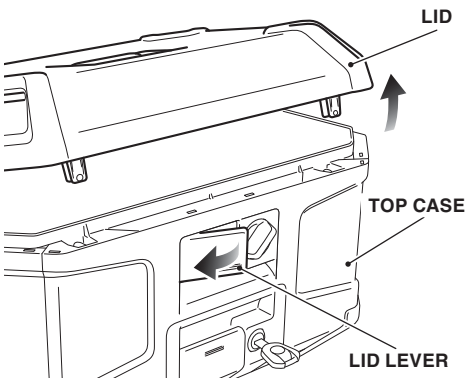


2. Pull the release lever, lift up the top case and remove it from the carrier base.

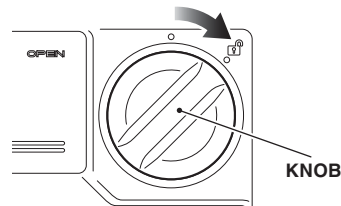


HOW TO OPEN THE TOP CASE

1. Insert the key and release the lock by turning the key clockwise.



2. Turn the knob clockwise.



3. Pull the lid lever toward you and open the lid as shown.

HOW TO CLOSE THE TOP CASE

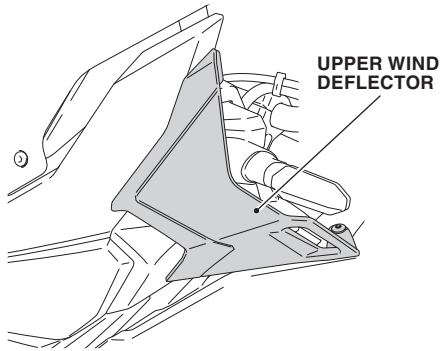
1. Close and lock the top case in the reverse order of opening.
 - Be careful not to have any stored item pinched when the top case is closed.
2. Remove the key.

HOW TO STORE THE TOP CASE INNER BAG

1. Open the top case and store the top case inner bag.
2. Close the top case.
 - Be careful not to have any stored item pinched when the top case is closed.

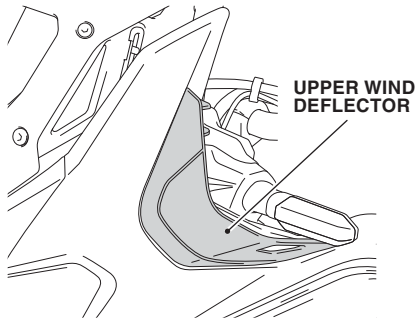
UPPER WIND DEFLECTOR

<CRF1100A/D>



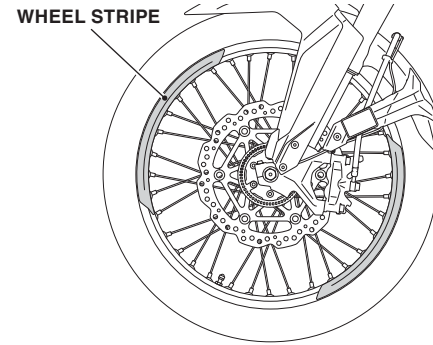
- When this accessory becomes dirty, rinse it thoroughly with cool water to remove loose dirt, then wipe with a clean cloth or sponge. Do not use a brush to clean this accessory as it may scratch the surface.
- Never use organic solvents such as gasoline, thinner and benzene to clean this accessory. Also do not use acid or alkaline cleaners to clean this accessory. Wipe up spilled brake or battery fluid at once as they may damage the surface.
- Handle this accessory with care. It can be damaged when it is bent excessively or is subject to strong shock or impact.

<CRF1100A4/D4>



WHEEL STRIPE

<CRF1100A/D>



- When this accessory becomes dirty, rinse it thoroughly with cool water to remove loose dirt, then wipe with a clean cloth or sponge. Do not use a brush to clean this accessory as it may scratch the surface.
- Never use organic solvents such as gasoline, thinner and benzene to clean this accessory. Also do not use acid or alkaline cleaners to clean this accessory. Wipe up spilled brake or battery fluid at once as they may damage the surface.
- Do not wash the motorcycle with a high-pressure washer, as this may peel off the wheel stripes.

<CRF1100A4/D4>

