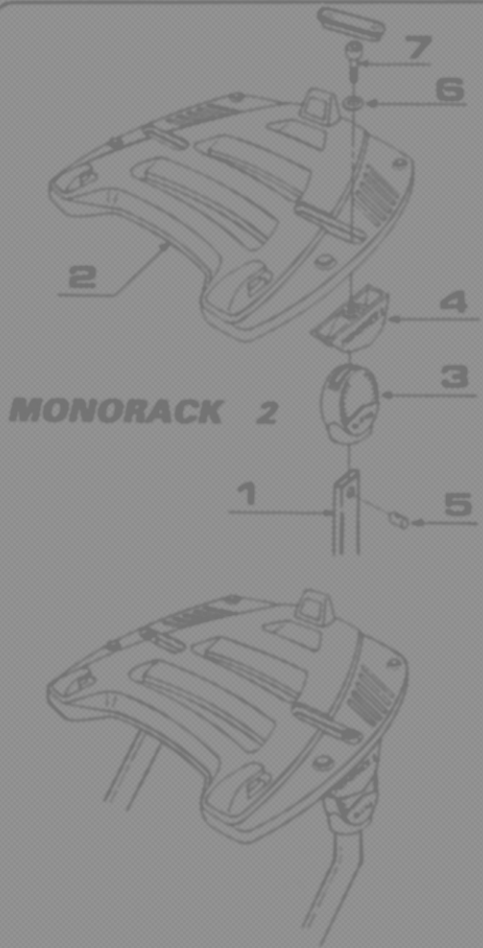
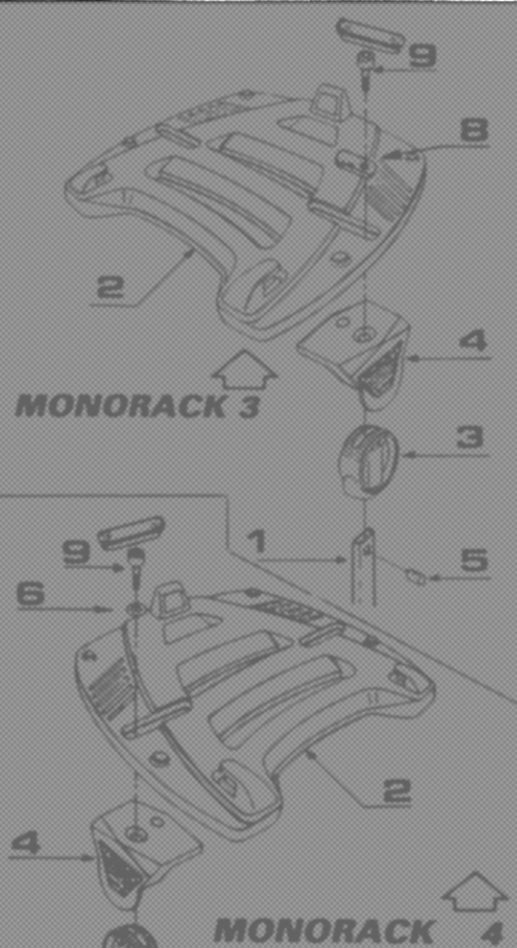


FISSAGGIO -REGOLAZIONE PIASTRE E SNODI FIXING -ADJUSTEMENT PLATES AND JOINTS MONORACK FIXATIONS -REGLAGE PLAQUES ET ROTULES MONORACK

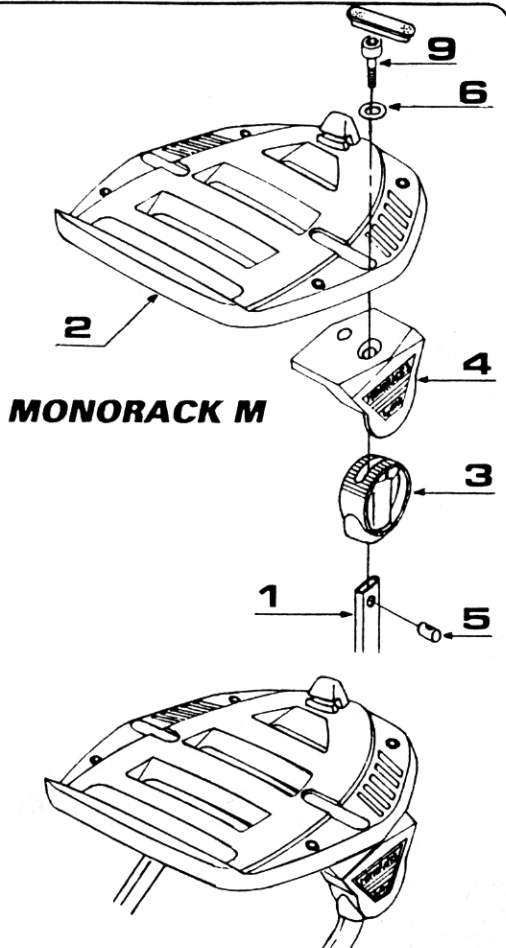


MONORACK 2

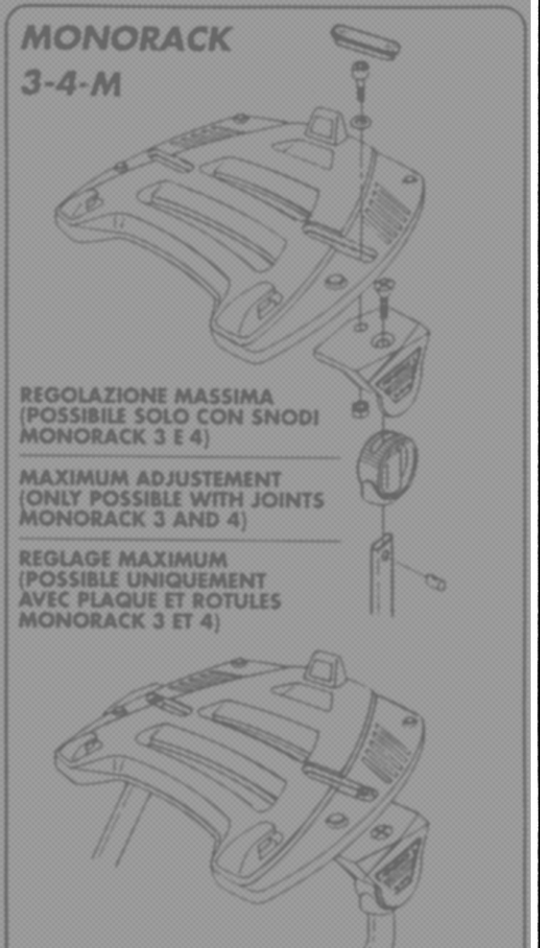


MONORACK 3

MONORACK 4



MONORACK M



**MONORACK
3-4-M**

REGOLAZIONE MASSIMA
(POSSIBILE SOLO CON SNODI
MONORACK 3 E 4)

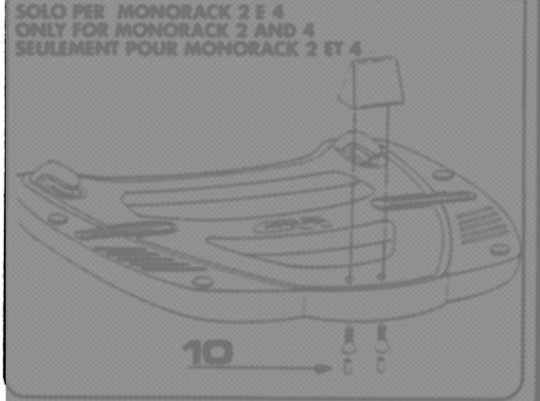
MAXIMUM ADJUSTEMENT
(ONLY POSSIBLE WITH JOINTS
MONORACK 3 AND 4)

REGLAGE MAXIMUM
(POSSIBLE UNIQUEMENT
AVEC PLAQUE ET ROTULES
MONORACK 3 ET 4)



-PER AVERE UNA GIUSTA REGOLAZIONE DELLA PIASTRA I DUE CAVALLOTTI DEGLI SNODI DEVONO AVERE LA STESSA INCLINAZIONE.
-TO HAVE A RIGHT ADJUSTEMENT OF THE PLATE THE TWO CONNECTION RODS MUST HAVE THE SAME INCLINATION.
-POUR AVOIR UN BON REGLAGE DE LA PLAQUE LES DEUX CRAMPILLONS DOIVENT AVOIR LA MEME INCLINATION.

N°	DESCRIZIONE DEL KIT KIT DESCRIPTION DESCRIPTION DU KIT	QUANTITA' QUANTITY QUANTITE'	N°	DESCRIZIONE DEL KIT KIT DESCRIPTION DESCRIPTION DU KIT	QUANTITA' QUANTITY QUANTITE'
1	MONORACK GIVI	2	6	RONDELLA ø 8 X 14 WASHER ø 8 X 14 RONDELLE ø 8 X 14	2
2	PIASTRA PLATE PLAQUE	1	7	VITE TCEI M 8 X 55 SCREW M 8 X 55 VIS M 8 X 55	2
3	SNODO JOINT ROTULE	2	8	PIASTRINA LITTLE PLATE PETITE PLAQUE	2
4	CAVALLOTTO "U" BOLT CRAMPILLON	2	9	VITE TCEI M 8 X 60 SCREW M 8 X 60 VIS M 8 X 60	2
5	BUSSOLA AXLE BOX BOUSOLE	2	10	CILINDRETTI ANTISCASSO ANTI-THEFT CYLINDRES ANTIVOL CYLINDRES	2



SOLO PER MONORACK 2 E 4
ONLY FOR MONORACK 2 AND 4
SEULEMENT POUR MONORACK 2 ET 4